

Quick Installation Guide Reference

comfosystems



ComfoAir 350 L CCEase

Duct Configuration	Mounting Options	Other
<p>ComfoAir 350 – LEFT</p>	<p><i>The place of installation must be chosen so that there is sufficient room around the unit for air duct connections, intake and exhaust piping and in order to carry out maintenance work including replacement of filters.</i></p>	<p>Weight – 39Kg</p> <p>Condensate Drain – 32mm</p> <p>Spigot size – 160mm</p> <p>Voltage – 230 V~, 50 Hz</p> <p>CCEase Cable – Cat5 - 4 x 0.34mm² protected (shielded twisted pair)</p>

Quick Installation Guide Reference

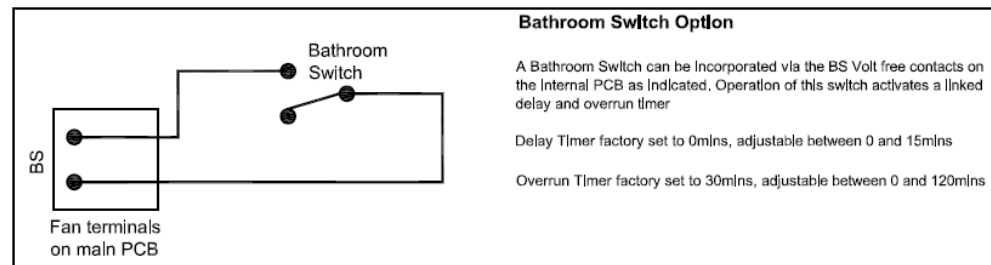
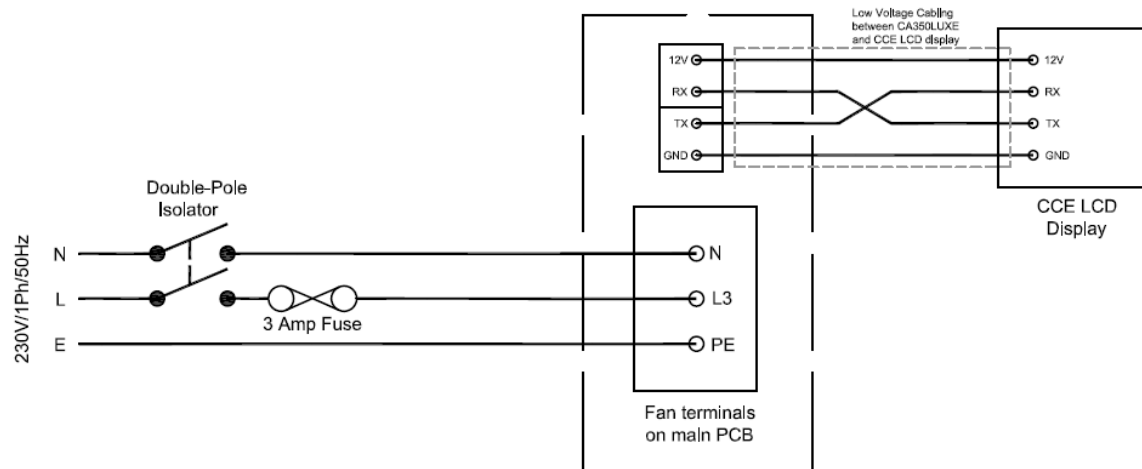
ComfoAir 350 L CCEase

comfosystems



Wiring

External Wiring for CA350LUXE using CCE Display



Bathroom Switch Option

A Bathroom Switch can be Incorporated via the BS Volt free contacts on the Internal PCB as Indicated. Operation of this switch activates a linked delay and overrun timer

Delay Timer factory set to 0mins, adjustable between 0 and 15mins

Overrun Timer factory set to 30mins, adjustable between 0 and 120mins