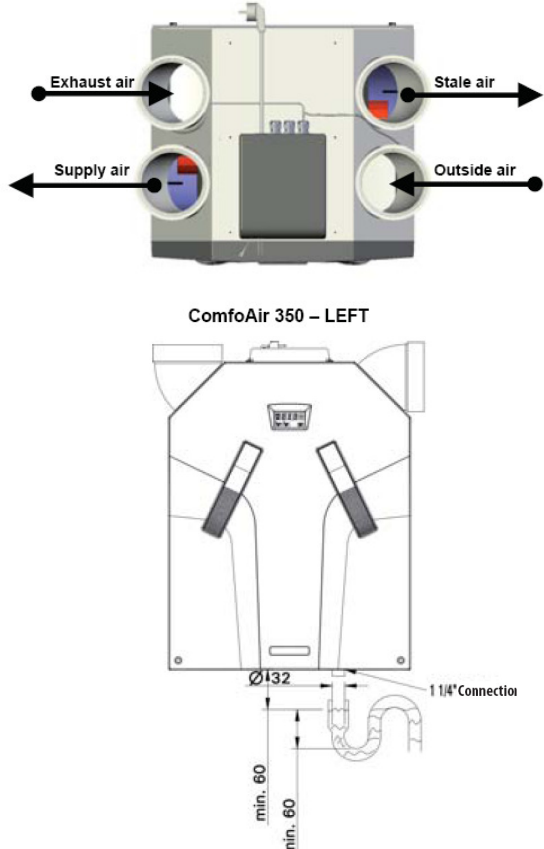
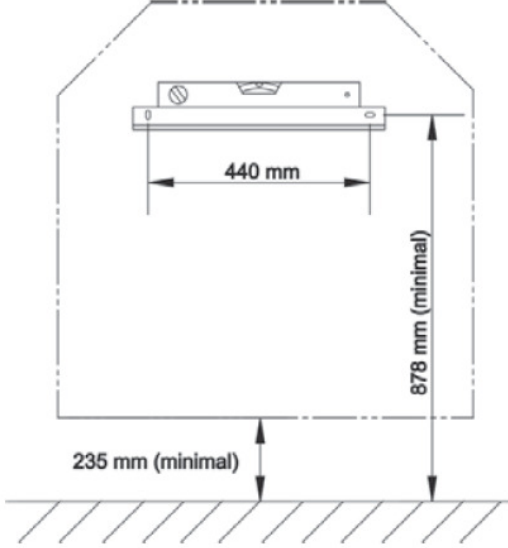


# Quick Installation Guide Reference

comfosystems



## ComfoAir 350 L RFZ

Duct Configuration	Mounting Options	Other
 <p>ComfoAir 350 – LEFT</p>	 <p><i>The place of installation must be chosen so that there is sufficient room around the unit for air duct connections, intake and exhaust piping and in order to carry out maintenance work including replacement of filters.</i></p>	<p>Weight – 39Kg</p> <p>Condensate Drain – 32mm</p> <p>Spigot size – 160mm</p> <p>Voltage – 230 V~, 50 Hz</p> <p>RFZ Battery – CR 2450 N</p>

# Quick Installation Guide Reference

comfosystems



## ComfoAir 350 L RFZ

### Wiring

External Wiring for CA350LUXE using CCE Display  
(Shown with multiple optional wireless 'RF' slave switches)

