

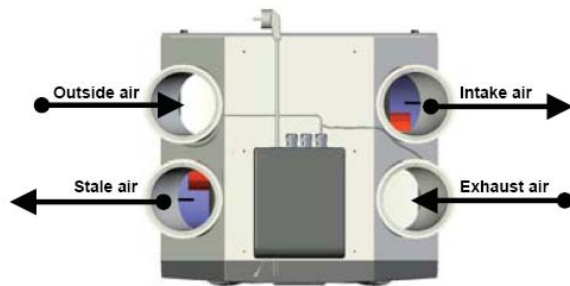
# Quick Installation Guide Reference

## ComfoAir 350 R CCEase

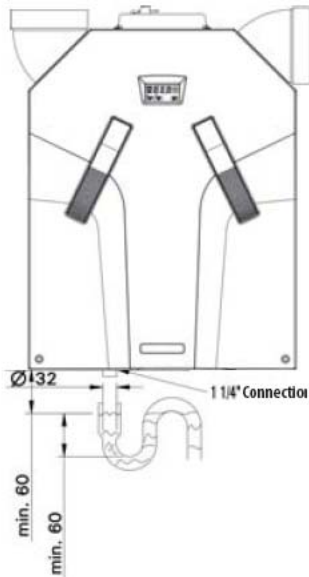
comfosystems



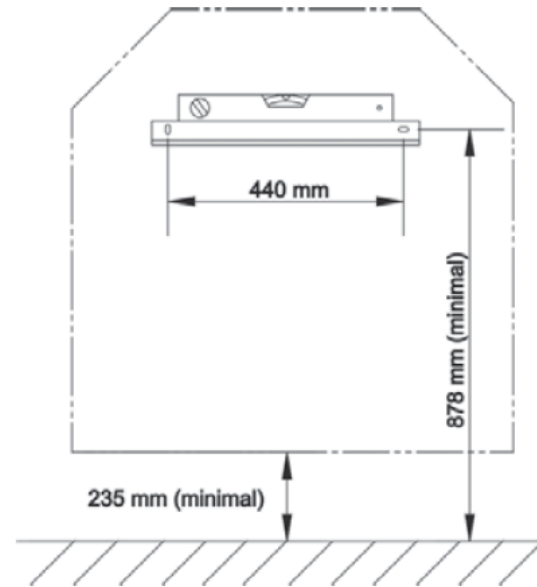
### Duct Configuration



ComfoAir 350 – RIGHT



### Mounting Options



*The place of installation must be chosen so that there is sufficient room around the unit for air duct connections, intake and exhaust piping and in order to carry out maintenance work including replacement of filters.*

### Other

Weight – 39Kg

Condensate Drain – 32mm

Spigot size – 160mm

Voltage – 230 V~, 50 Hz

CCEase Cable – Cat5 - 4 x 0.34mm<sup>2</sup> protected (shielded twisted pair)

# Quick Installation Guide Reference

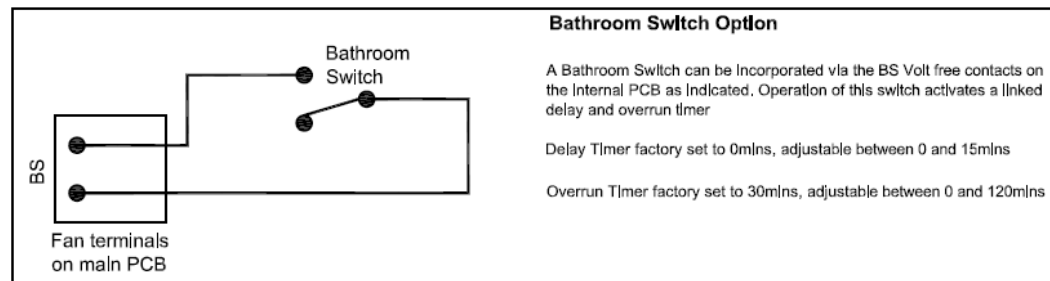
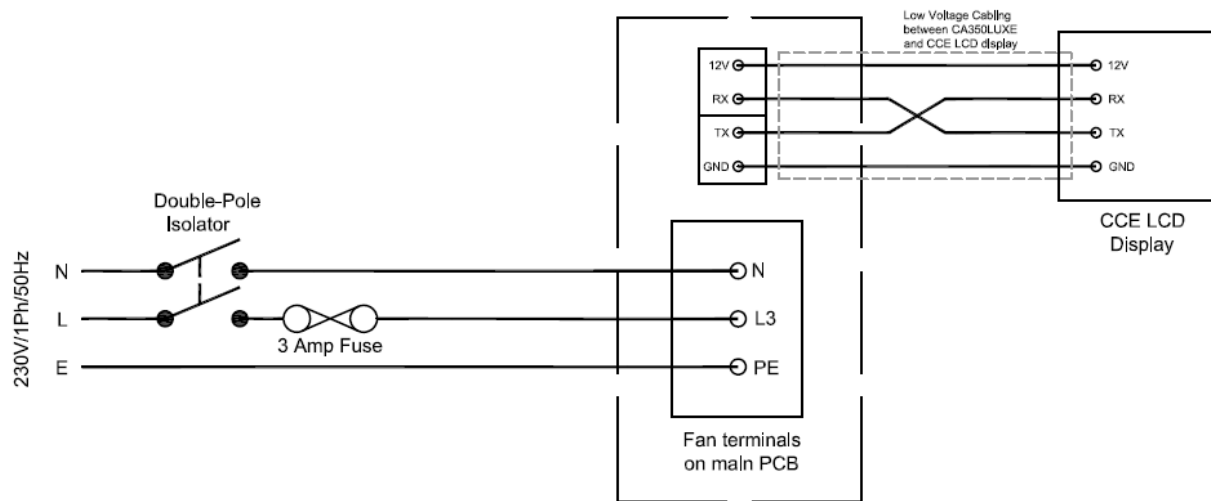
## ComfoAir 350 R CCEase

comfosystems



### Wiring

#### External Wiring for CA350LUXE using CCE Display



Zehnder Comfosystems  
A division of Zehnder Group UK Ltd

Unit 1, Brookside Avenue  
Rustington, West Sussex  
BN16 3LF

T: 01903 777333  
F: 01903 782398  
[www.comfosystems.co.uk](http://www.comfosystems.co.uk)